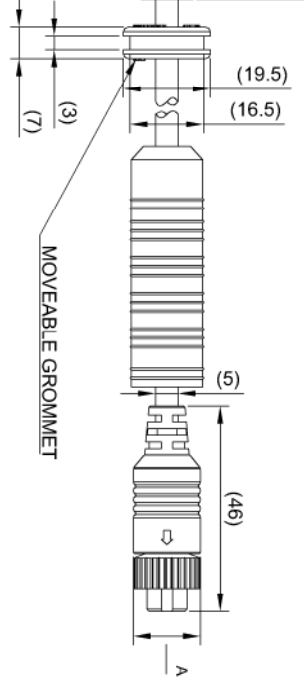
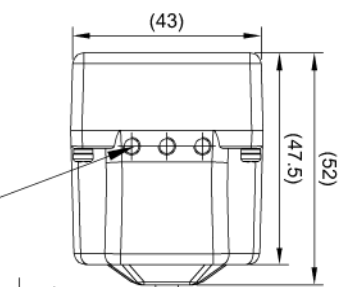
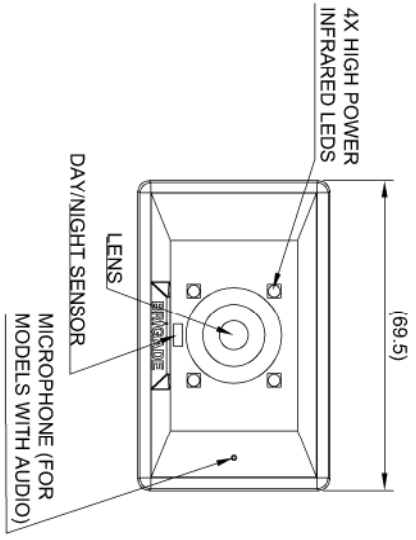
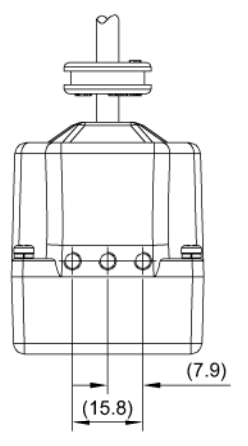
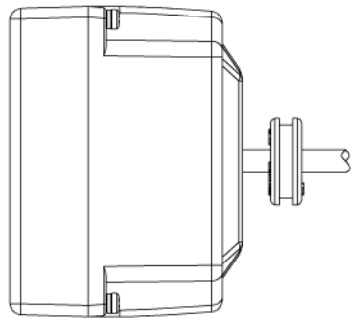
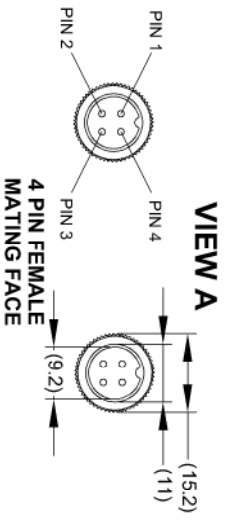
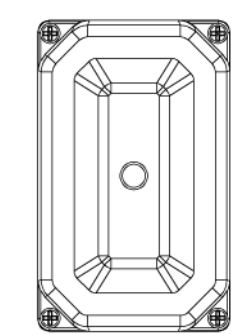


TABLE 1 VBV-7XXXX-C CAMERA ONLY OPTIONS

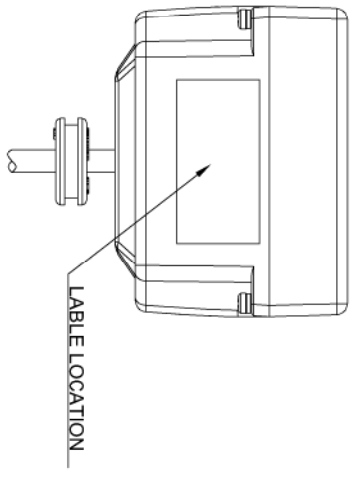
PART NO.	MODEL NO.	DESCRIPTION
(5472)	VBV-7000C-C	CAMERA ONLY, SELECT CAMERA, AUDIO, HD 720P 25FPS CAMERA
(5473)	VBV-7001C-C	CAMERA ONLY, SELECT CAMERA, AUDIO, HD 720P 30FPS CAMERA
(5476)	VBV-7090C-C	CAMERA ONLY, SELECT CAMERA, WATERPROOF TO IP69K, NO AUDIO, HD 720P 25FPS CAMERA
(5477)	VBV-7091C-C	CAMERA ONLY, SELECT CAMERA, WATERPROOF TO IP69K, NO AUDIO, HD 720P 30FPS CAMERA
(5474)	VBV-7100C-C	CAMERA ONLY, SELECT CAMERA, AUDIO, HD 1080P 25FPS CAMERA
(5475)	VBV-7101C-C	CAMERA ONLY, SELECT CAMERA, AUDIO, HD 1080P 30FPS CAMERA
(5478)	VBV-7190C-C	CAMERA ONLY, SELECT CAMERA, WATERPROOF TO IP69K, NO AUDIO, HD 1080P 25FPS CAMERA
(5479)	VBV-7191C-C	CAMERA ONLY, SELECT CAMERA, WATERPROOF TO IP69K, NO AUDIO, HD 1080P 30FPS CAMERA



6 X M4 X 6MM FIXING HOLE



PIN #	WIRE COLOUR	DESCRIPTION
1	RED	+12V
2	BLACK/SHIELD	GND
3	WHITE	AUDIO
4	YELLOW	VIDEO



- NOTES:
1. FINISH IS BLACK.
 2. FOR PRODUCT LABEL AND PACKAGING DETAILS REFER TO MASTER BOM.
 3. FIRMWARE VERSION SV-AHD225D-25-00-V1.5 TO BE PRE-LOADED TO VBV-70X0C MAIN BOARD.
 4. FIRMWARE VERSION SV-AHD225D-30-00-V1.5 TO BE PRE-LOADED TO VBV-70X1C MAIN BOARD.
 5. FIRMWARE VERSION SV-AHD233F-25-00-V1.4 TO BE PRE-LOADED TO VBV-71X0C MAIN BOARD.
 6. FIRMWARE VERSION SV-AHD233F-30-00-V1.4 TO BE PRE-LOADED TO VBV-71X1C MAIN BOARD.

PROPRIETARY NOTICE
 THIS DESIGN AND TECHNICAL INFORMATION APPEARING ON THIS DRAWING IS THE PROPERTY OF BRIGADE ELECTRONICS, AND IS DISCLOSED IN CONFIDENCE. IT IS NOT TO BE COPIED, REPRODUCED, REVEALED TO OR EXPROPRIATED BY OTHERS, EITHER IN WHOLE OR IN PART WITHOUT THE EXPRESS WRITTEN CONSENT OF BRIGADE ELECTRONICS.



Assembly PI Approval W.WU	Approved by S.LAVAR	Checked by R.PENTLEY	Released 14/11/19	Drawn by C.WALKER
Angle of Projection Third Angle	Units mm	Scale N/A	Released 14/11/19	Assembly Ref
Status DRAFT	VBV-7XXXX-C			
Part No SEE TABLE 1	BE-004078-00-19			